



# Technical Specifications

Hardwood Bead details  
Cross Section specifications  
Aperture Measurements

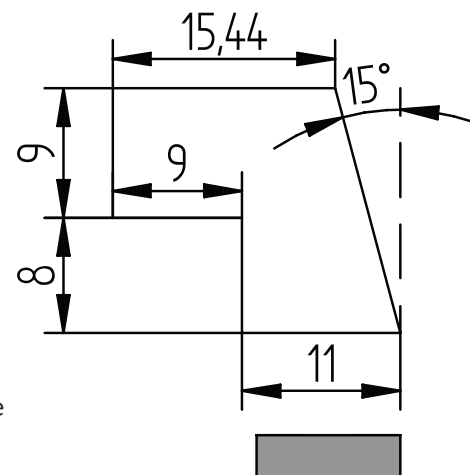
**Vistamatic® Ltd**  
Unit 4, 62-70 Fowler Road  
Hainault, Essex IG6 3UT

Published: 2014  
Updated: 2024

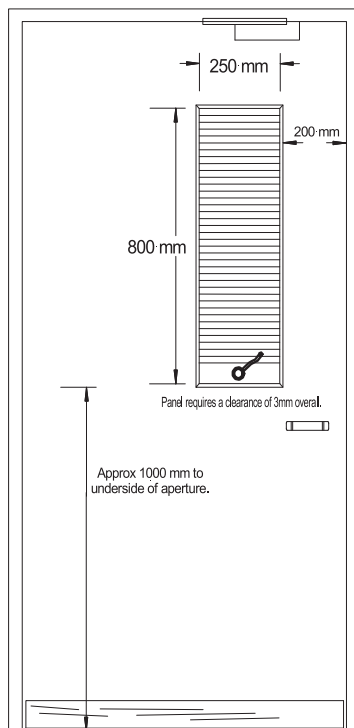
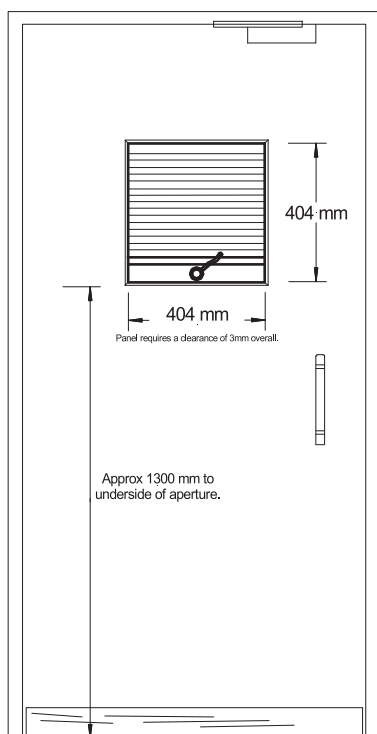
## Hardwood Bead Details for Fire Rated VISTAMATIC® Vision Panel

Any type of hardwood bead is suitable to fix the Vistamatic Vision Panel into a door or wall aperture. Fixing can be achieved by screwing or nailing which ever is suitable for the project. The beads should be mitred at the corners to achieve the correct aesthetic finish. The Vistamatic Vision Panel requires a clearance of 6mm overall as it should not be a tight fit in the aperture.

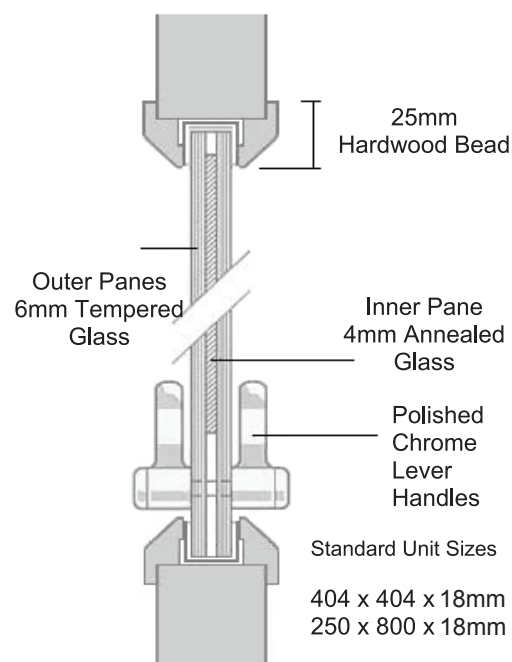
An intumescent strip (Lorient LP 1003) or equivalent paste should be placed where indicated to achieve half hour fire integrity in accordance with our fire certificate.



## Aperture Measurements and Cross Section specifications



### Cross Section of VS2/VS02 Unit



All sizes shown are approximate and intended as a guide only  
Clearance of 3mm overall is required for cut-outs to allow fitting.

For more technical information on the VISTAMATIC® range including Glass Integrity and Fire Ratings, Operating Systems, Graphics and Colour Options visit [www.vistamatic.com](http://www.vistamatic.com)

# Technical Data Sheet

## Model Types

**VS1-VSO1, VS2-VSO2**  
**Standard: Square or Oblong**  
**Standard Lines or Max Lines**  
**NON Fire Rated**

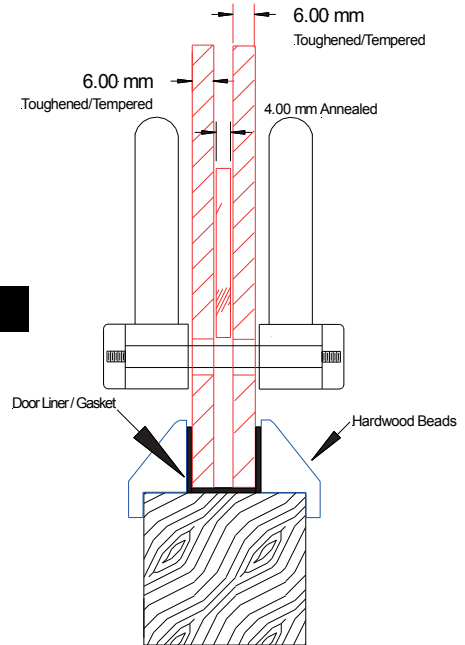
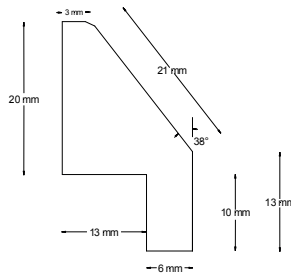


### Standard Sizes Available

404mm x 404mm  
 and  
 250mm x 800mm

Bespoke sizes available on request

### Hardwood Bead Details for 44mm Door



### Non Fire Glass Details

6mm Toughened/Tempered to both outer panes.  
 4mm Annealed to moving centre.

**All tempered glass conforms to BS6206 meeting impact class 'A'**

### Alternative Glass Details

Toughened Glass  
 8mm – 10mm – 12mm – 19mm

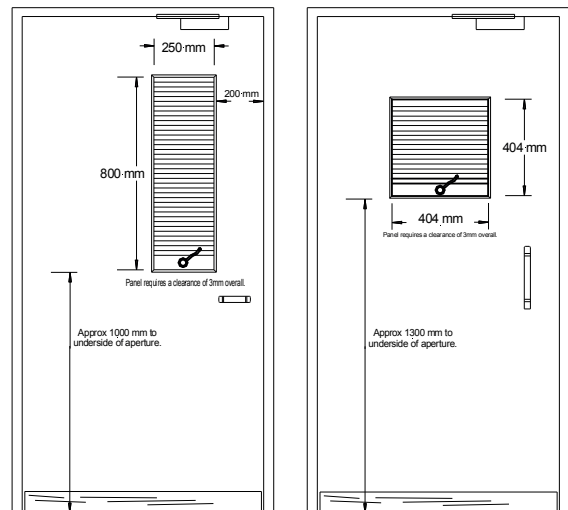
Laminated Glass  
 6.4mm – 7.5mm – 8.8mm – 10.8mm – 11.5mm – 13.5mm

Acoustic Laminated Glass  
 6.8mm – 8.8mm – 10.8mm – 12.8mm – 16.8mm

### Anti-Ligature Handle Options



### Door Blank Cut-outs



All sizes shown are approximate and intended as a guide only.  
 Drawing is not to scale.

All sizes shown are approximate and intended as a guide only.  
 Drawing is not to scale.

### Sectors for Vistamatic use

Healthcare  
 Education  
 Security  
 Commercial  
 Residential

or anywhere where discreet observation and security are required.



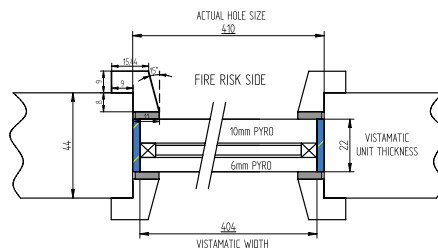


#### Standard Sizes Available

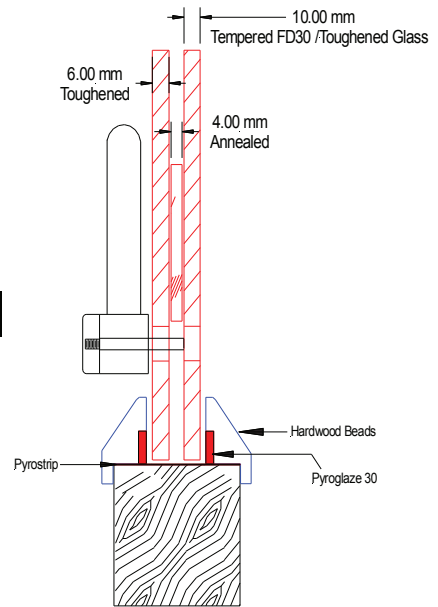
404mm x 404mm  
and  
250mm x 800mm

Bespoke sizes available on request

#### FD30 Hardwood Bead Details for 44mm Door



HARDWOOD BEAD (MINIMUM DENSITY 640 Kg/m<sup>3</sup>)  
 10 X 3 PYROGLAZE30-MANN MCGOWEN LTD GLAZING INTUMESCENT  
 3mm THICK INTUMESCENT MASTIC - NORSOUND LTD



BSEN:1634

#### Standard FD30 Glass Details

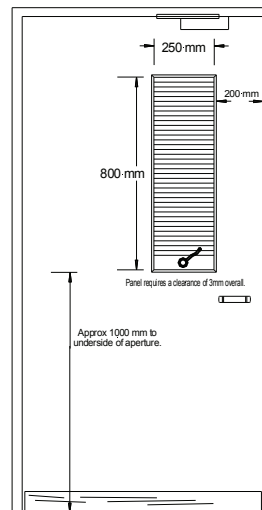
External Pane: 6mm Toughened Glass  
Internal Pane: 10mm Pyro-EX Toughened Glass  
4mm Annealed Glass moving centre.

**All tempered glass conforms to BS6206 meeting impact class 'A'**

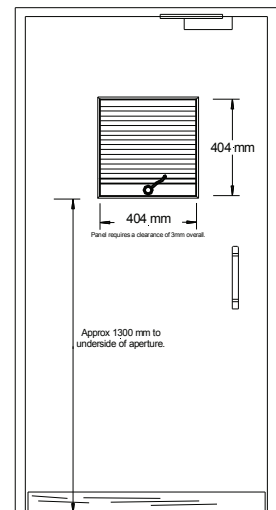
#### Alternative FD30 Fire Glass Details

Pyroshield Safety Clear (Wired)  
6mm Pyroset XP  
Pyroguard C730 Clear  
7mm Pyrodur Plus  
10mm Pyroset XP  
10mm Pyrodur  
15mm Pyrostop  
16mm Pyrobel  
18mm Pyrostop

#### Door Blank Cut-outs



All sizes shown are approximate and intended as a guide only.  
Drawing is not to scale.



All sizes shown are approximate and intended as a guide only.  
Drawing is not to scale.

#### Anti-Ligature Handle Options



#### Sectors for Vistamatic use

Healthcare  
Education  
Security  
Commercial  
Residential

or anywhere where discreet observation and security are required.



## Technical Data Sheet

## Model Types

### Vistamatic Flush

### Standard: Square or Oblong

### Max Lines

### NON Fire Rated

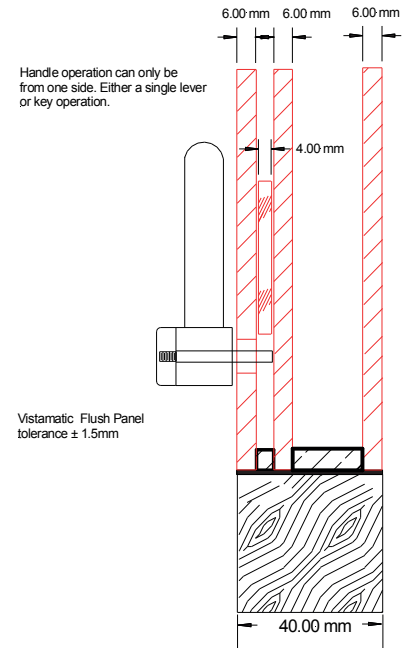


Sizes Available

404mm x 404mm  
and  
250mm x 800mm

Bespoke sizes available on request

**Panel to suit  
any Wall or Door  
thickness**



#### Non Fire Glass Details

6mm Toughened/Tempered  
to both outer panes.  
4mm Annealed to moving centre.

**All tempered glass conforms to  
BS6206 meeting impact class 'A'**

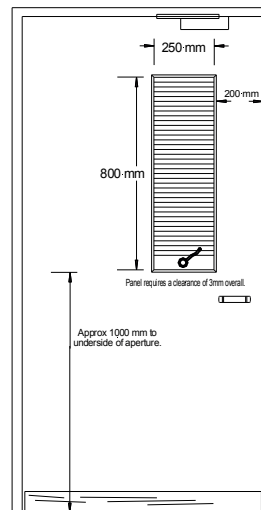
#### Alternative FD30 Fire Glass Details

Pyroshield Safety Clear (Wired)  
6mm Pyrocet XP  
Pyroguard C730 Clear  
7mm Pyrodur Plus  
10mm Pyrocet XP  
10mm Pyrodur  
10mm Pyro-EX  
15mm Pyrostop  
16mm Pyrobel  
18mm Pyrostop

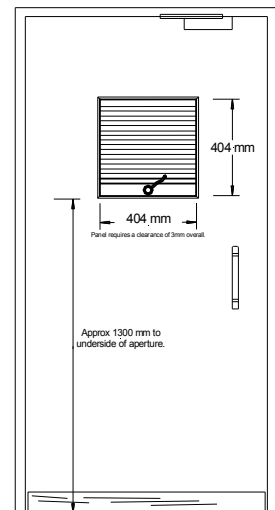
#### Anti-Ligature Handle Options



#### Door Blank Cut-outs



All sizes shown are approximate and intended as a guide only.  
Drawing is not to scale.



All sizes shown are approximate and intended as a guide only.  
Drawing is not to scale.

#### Sectors for Vistamatic use

Healthcare  
Education  
Security  
Commercial  
Residential

or anywhere where discreet  
observation and security are required.

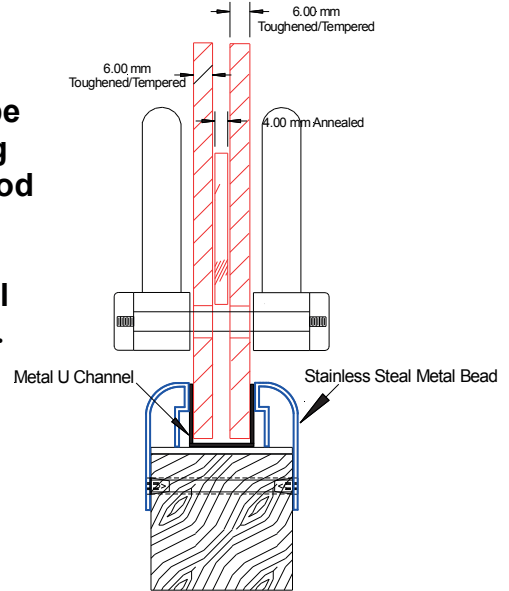


## Technical Data Sheet

## Model Types Vistaport 400mm Round Standard Lines NON Fire Rated



Vistaport can be installed using either a hardwood bead or the Vistamatic Stainless Steel security bead.



### Non Fire Glass Details

6mm Toughened/Tempered to both outer panes.  
4mm Annealed to moving centre.

**All tempered glass conforms to BS6206 meeting impact class 'A'**

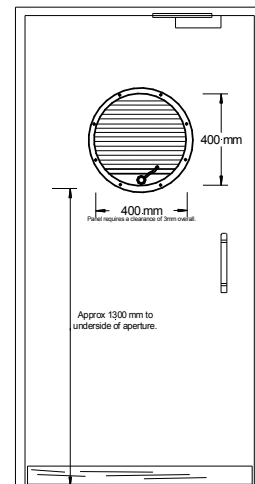
### Alternative FD30 Fire Glass Details

Pyroshield Safety Clear (Wired)  
6mm Pyrocet XP  
Pyroguard C730 Clear  
7mm Pyrodur Plus  
10mm Pyrocet XP  
10mm Pyrodur  
10mm Pyro-EX  
15mm Pyrostop  
16mm Pyrobel  
18mm Pyrostop

### Anti-Ligature Handle Options



### Door Blank Cut-out



All sizes shown are approximate and intended as a guide only.  
Drawing is not to scale.

### Sectors for Vistamatic use

Healthcare  
Education  
Security  
Commercial  
Residential

or anywhere where discreet observation and security are required.



# Technical Data Sheet

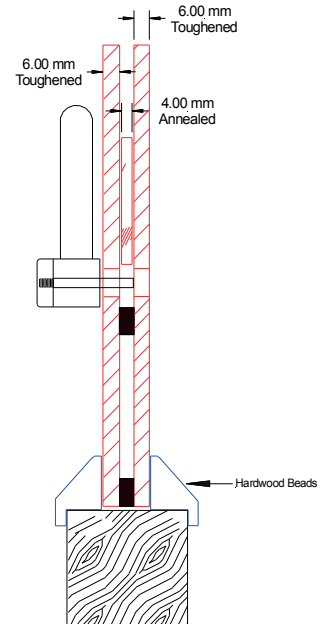
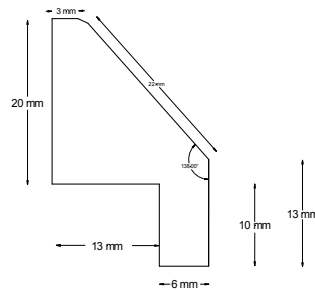
## Model Types Vistamatic XL Oblong Vision Panel Standard Lines or Max Lines NON Fire Rated



### Sizes Available

**Widths from 175 mm to 500 mm**  
**and**  
**Heights from 1150 mm x 1500 mm**

Hardwood Bead Details for 44mm Door



### Non Fire Glass Details

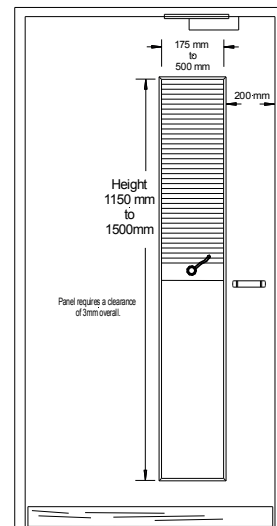
6mm Toughened/Tempered to both outer panes.  
4mm Annealed to moving centre.

**All tempered glass conforms to BS6206 meeting impact class 'A'**

### Alternative FD30 Fire Glass Details

- Pyroshield Safety Clear (Wired)
- 6mm Pyrocet XP
- Pyroguard C730 Clear
- 7mm Pyrodur Plus
- 10mm Pyrocet XP
- 10mm Pyrodur
- 10mm Pyro-EX
- 15mm Pyrostop
- 16mm Pyrobel
- 18mm Pyrostop

### Door Blank Cut-out



### Anti-Ligature Handle Options



### Sectors for Vistamatic use

- Healthcare
- Education
- Security
- Commercial
- Residential

or anywhere where discreet observation and security are required.

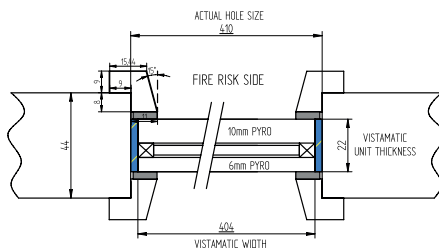




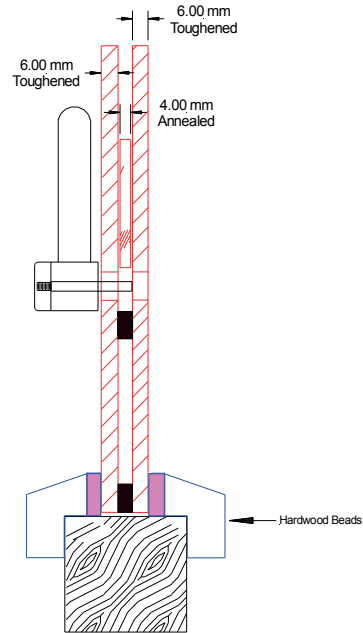
#### Sizes Available

**Widths from 175 mm to 500 mm**  
**and**  
**Heights from 1150 mm x 1500 mm**

#### Hardwood Bead Details for FD30 44mm Door



- HARDWOOD BEAD ( MINIMUM DENSITY 640 Kg/m<sup>3</sup> )
- 10 X 3 PYROGLAZE30-MANN MEGOWEN LTD GLAZING INTUMESCENT
- 3mm THICK INTUMESCENT MASTIC - NORSOUND LTD



#### Standard FD30 Glass Details

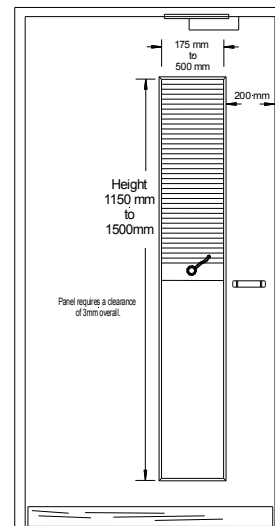
External Pane: 6mm Toughened Glass  
 Internal Pane: 10mm Pyro-EX Toughened Glass  
 4mm Annealed Glass moving centre.

**All tempered glass conforms to BS6206 meeting impact class 'A'**

#### Alternative FD30 Fire Glass Details

- Pyroshield Safety Clear (Wired)
- 6mm Pyrocet XP
- Pyroguard C730 Clear
- 7mm Pyrodur Plus
- 10mm Pyrocet XP
- 10mm Pyrodur
- 15mm Pyrostop
- 16mm Pyrobel
- 18mm Pyrostop

#### Door Blank Cut-out



#### Anti-Ligature Handle Options



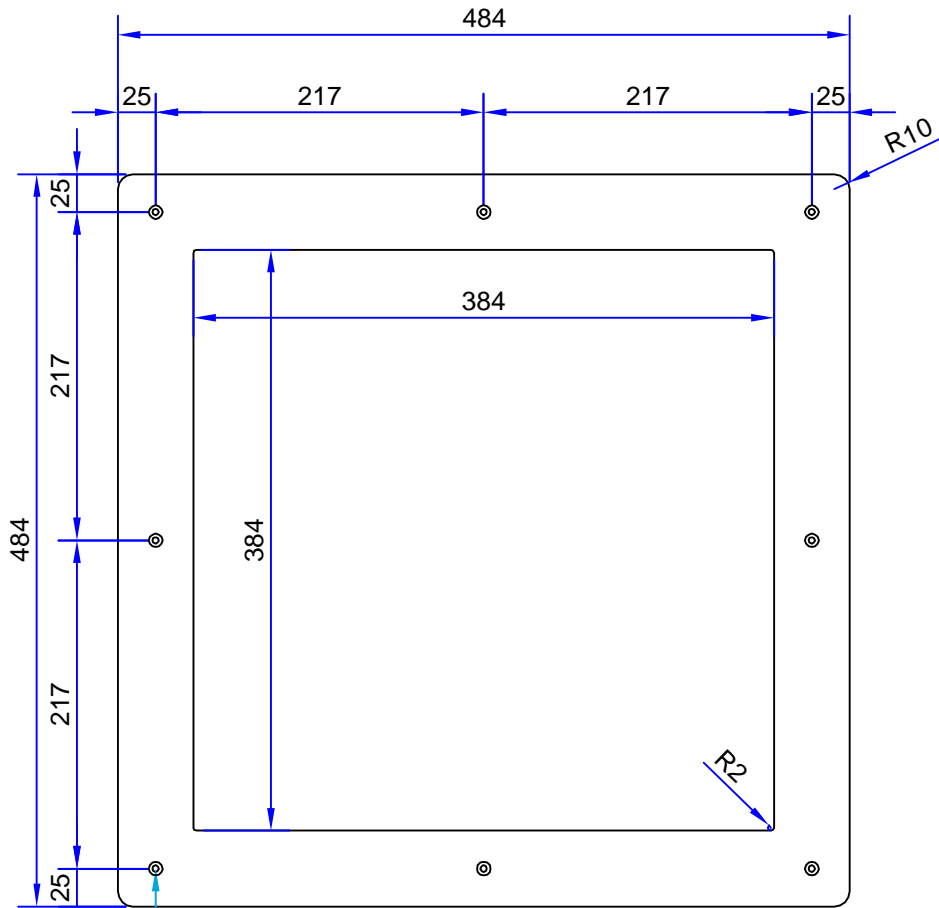
#### Sectors for Vistamatic use

- Healthcare
- Education
- Security
- Commercial
- Residential

or anywhere where discreet observation and security are required.

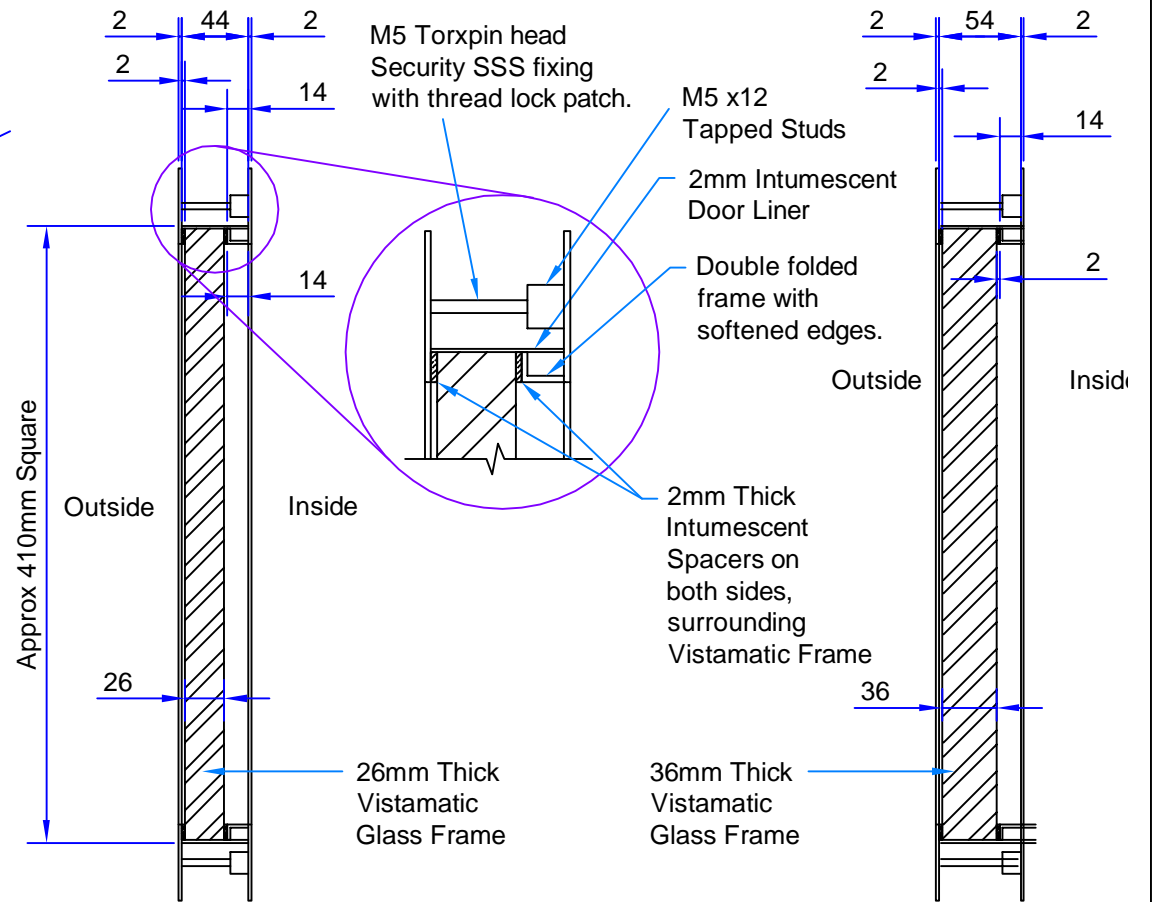






8 No. M5 Countersunk Holes.

FRONT VIEW

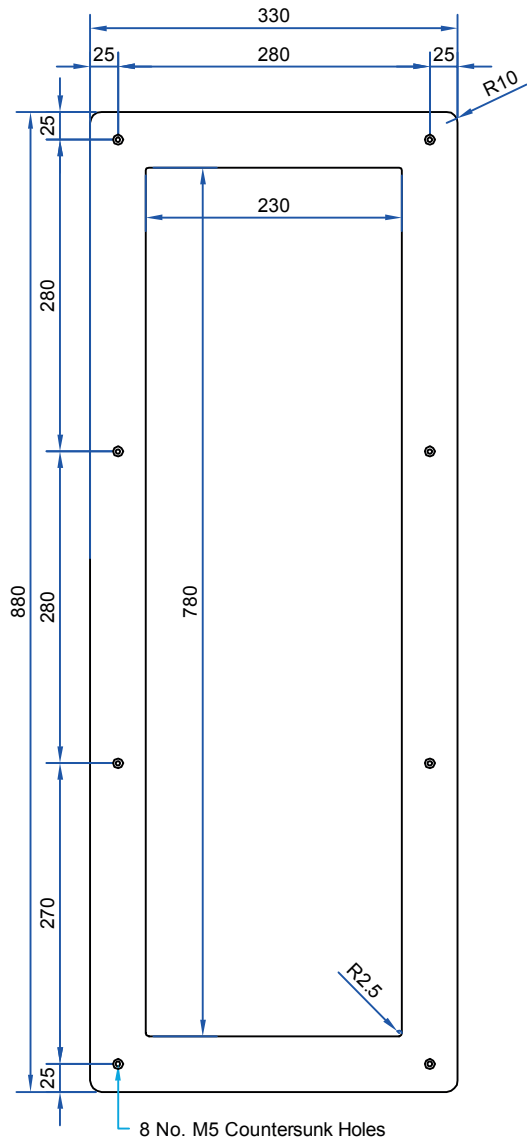


SIDE VIEW  
FOR 44mm DOOR

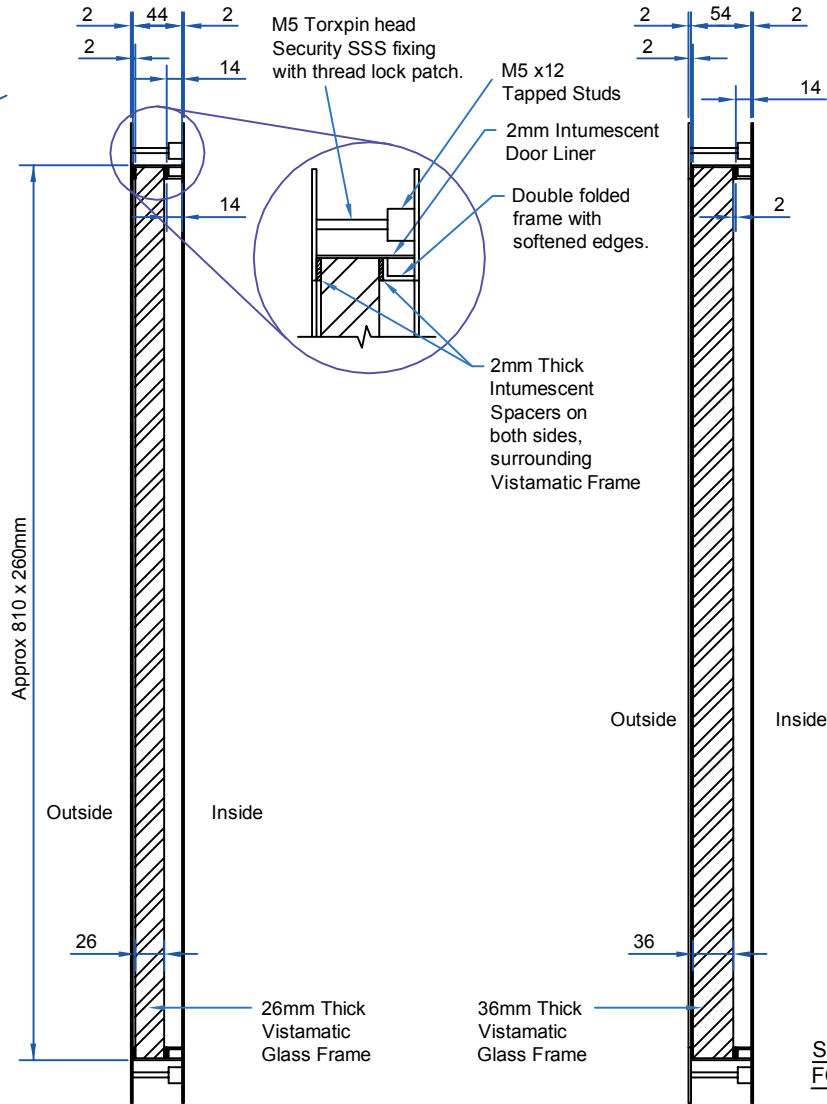
SIDE VIEW  
FOR 54mm DOOR

**PLEASE NOTE**  
OTHER SIZE DOOR THICKNESS'S  
OR VISTAMATIC GLASS FRAME  
THICKNESS'S ARE AVAILABLE TO BE SUPPLIED.

Drawn By	Approved By:	Date	
Title Vistamatic Fascia S/S Frame Details			
Part No.	VISTA SS 20/14	Scale	Sheet



FRONT VIEW



SIDE VIEW FOR 44mm DOOR

SIDE VIEW FOR 54mm DOOR

PLEASE NOTE  
OTHER SIZE DOOR THICKNESS'S  
OR VISTAMATIC GLASS FRAME  
THICKNESS'S ARE AVAILABLE TO BE SUPPLIED.

Drawn By	Approved By:	Date	
Title Vistamatic Fascia S/S Frame Details			
Part No.	VISTA SS 21/14	Scale	Sheet